

TABLE 1. *Innervation of gastric and pyloric region of stomach*

| Neurons | <i>n</i> | Muscles |
|------------------------|----------|---------------------------------------|
| PD | 2 | cpv1a,b cpv2a,b |
| LP | 1 | p1 cpv3a,b cpv4 cpv6 cpv8 |
| PY | 5 | p2 p8 p11 p12-14 cpv11 |
| VD | 1 | cv1 |
| IC | 1 | cv2 cv3 cpv7 gm5a |
| LPG(PD _{in}) | 2 | gm3b,c p3 p7 p10 p15 |
| LG | 1 | gm8a,b gm6a,b gm5b |
| MG | 1 | gm8b gm9 |
| DG | 1 | gm4b,c |
| GM | 4 | gm1a,b gm2 gm3a,b |
| AM | 1 | c6 c7 |

n is number of neurons. PD, pyloric dilator; LP lateral pyloric; PY, pyloric; VD, ventricular dilator; IC, inferior cardiac; LPG(PD_{in}), lateral posterior gastric; LG, lateral gastric; MG, medial gastric; DG dorsal gastric; GM, gastric mill; AM, anterior medial.

Weimann, Meyrand & Marder
 (1991) JNeurophys 65: 111

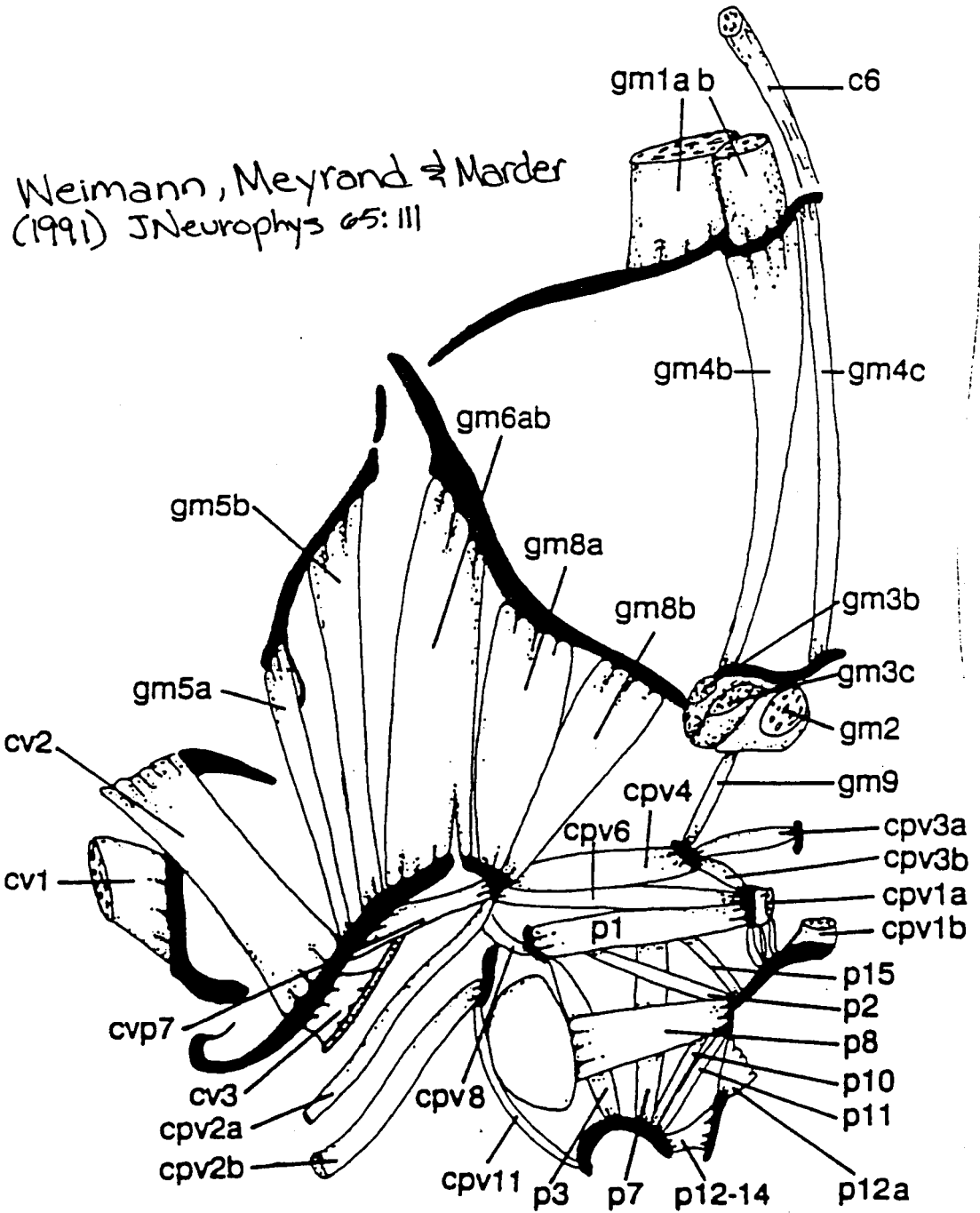
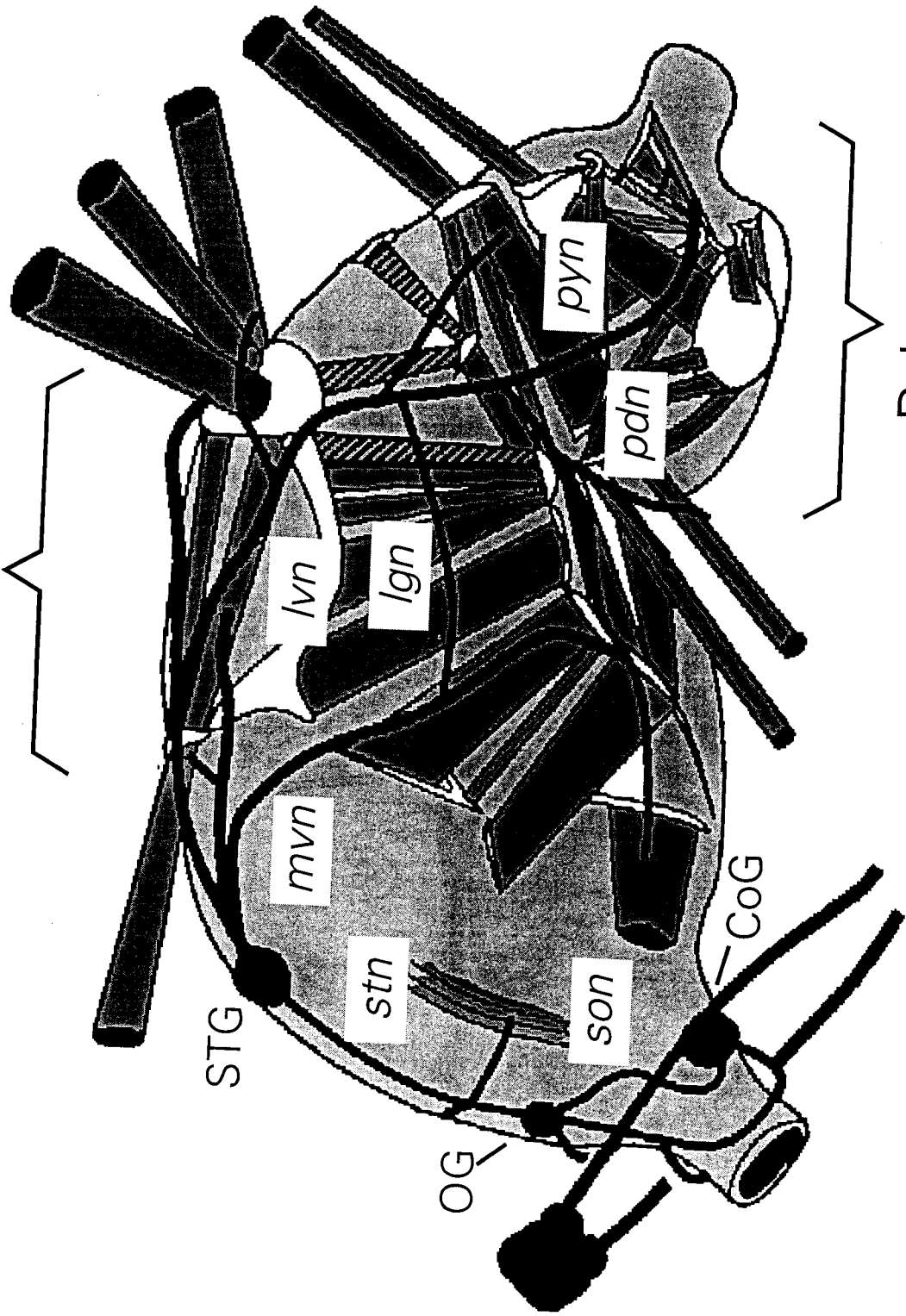
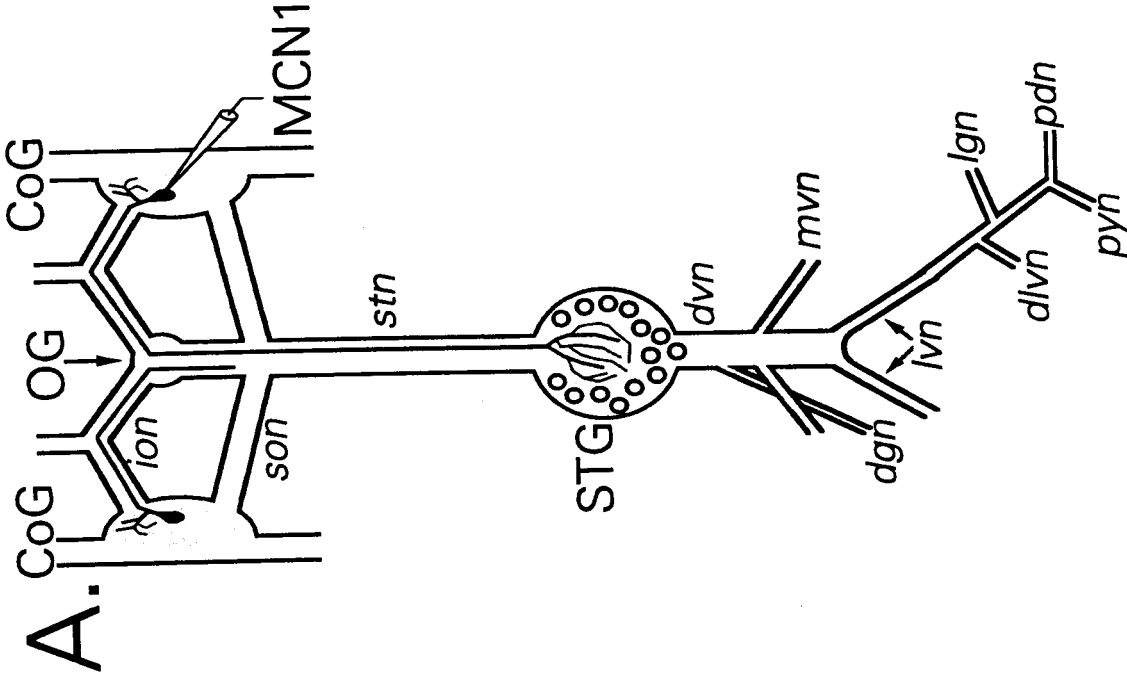


FIG. 1. Drawing of the dorsal view of a dissected stomach of *C. borealis*. Only the left side is shown. Posterior is down, and medial is to the right. Drawing was done with the use of a dissecting microscope. Nomenclature was taken from Maynard and Dando (1974).

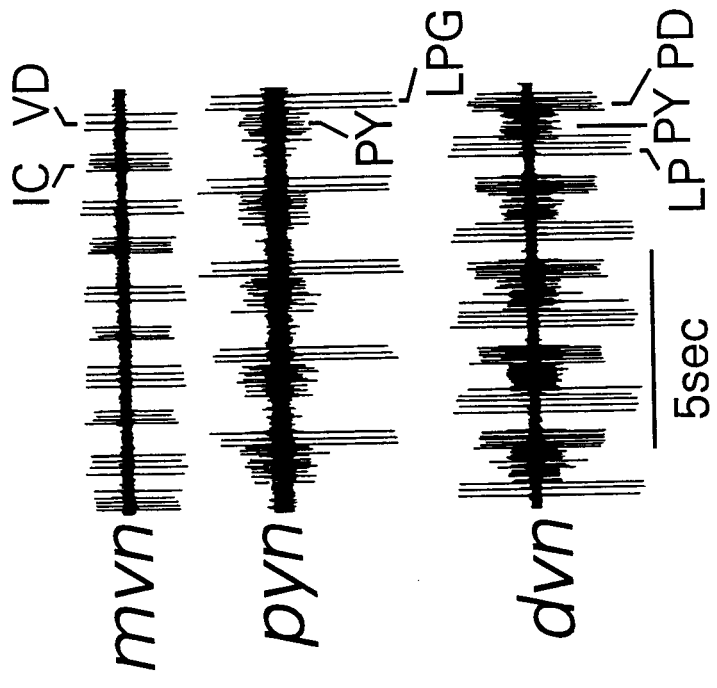
Gastric Mill

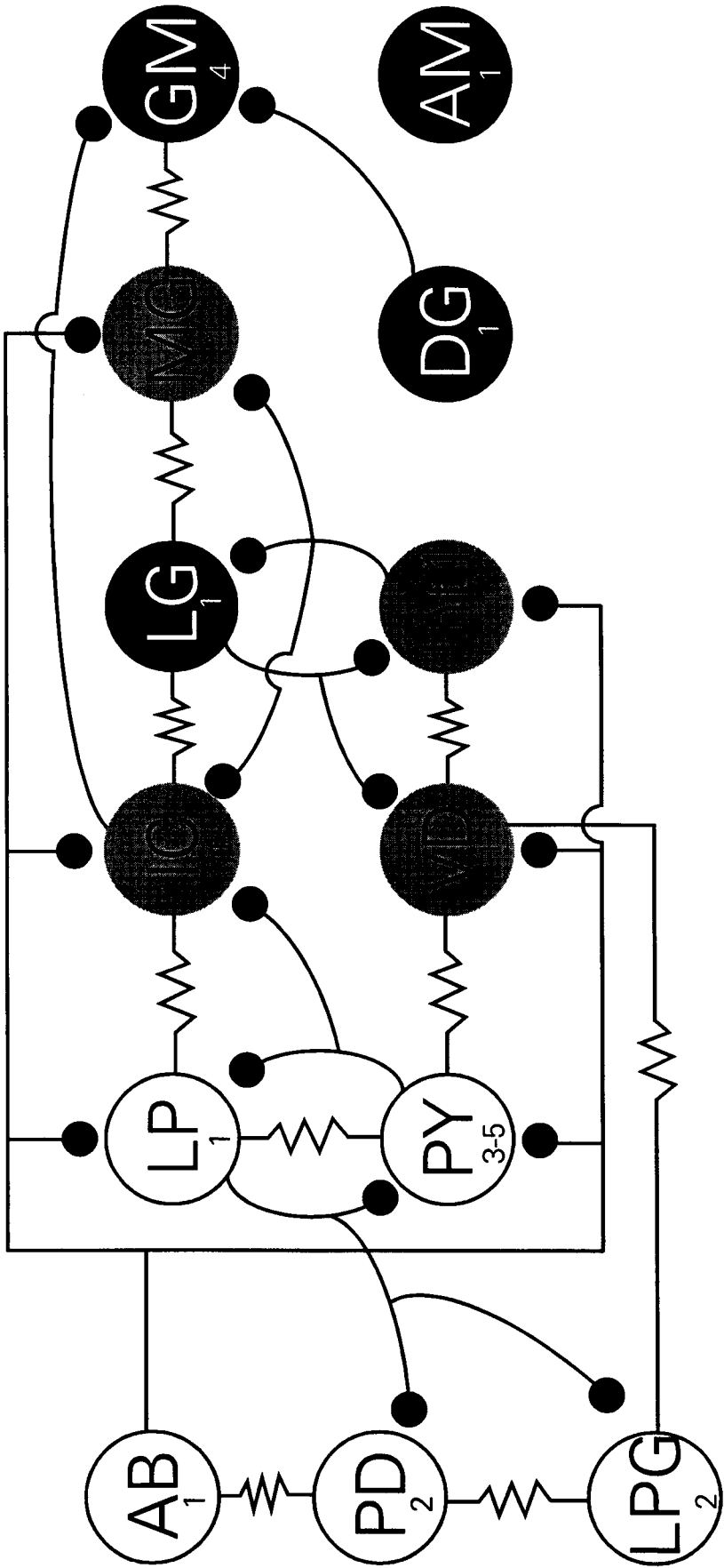


Pylorus



B.





□ = Pyloric Neuron
 ■ = Gastro-Pyloric Neuron
 ● = Gastric Neuron

Cancer borealis